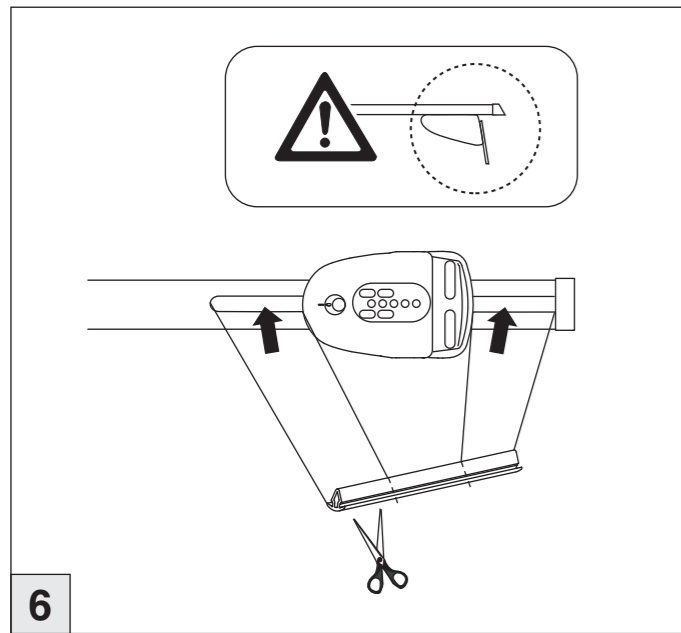
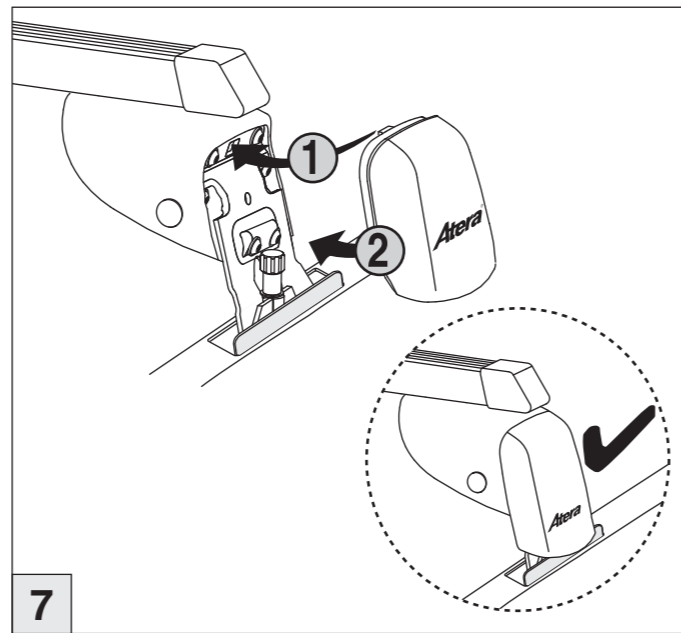


# Atera SIGNO

Mercedes Benz  
E-Klasse (W213) 04/2016-

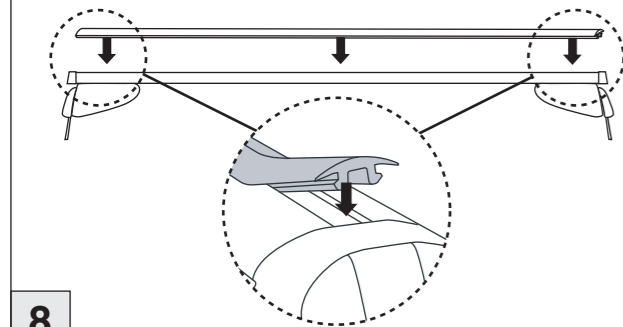


6

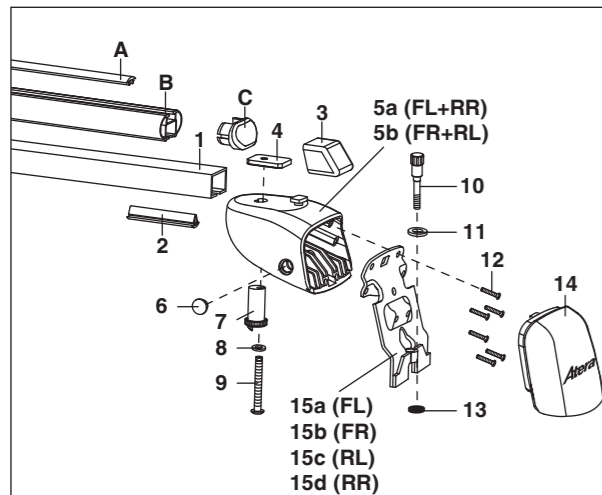
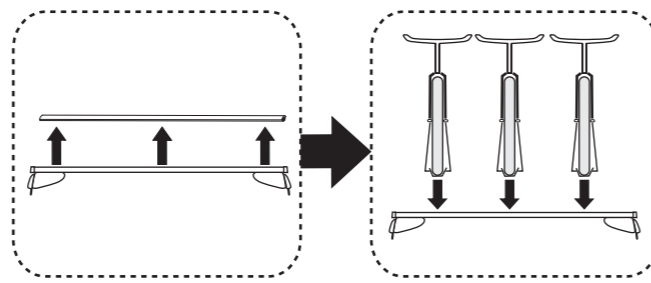


7

nur bei / only for Part-No.: 045 328

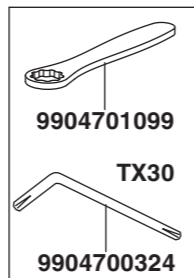


8



9

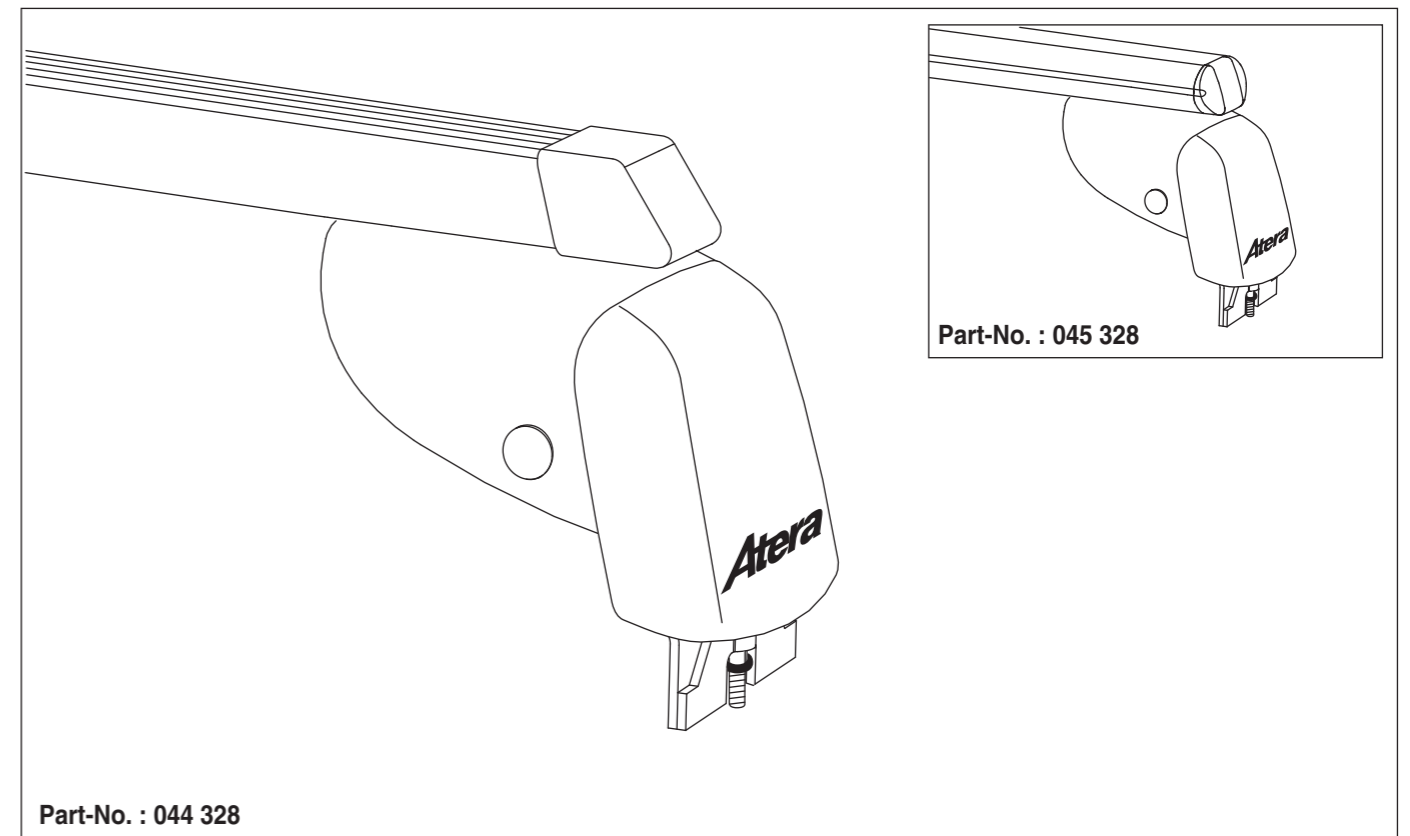
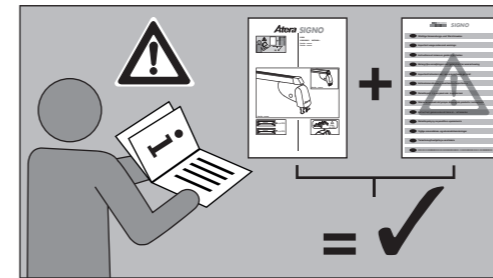
- nur bei Art.Nr.: 045 328  
only for part no.: 045 328
- |               |                 |
|---------------|-----------------|
| A- 991970065  | 11- 9910700005  |
| B- 9945700112 | 12- 9908700010  |
| C- 9918700253 | 13- 9922700204  |
|               | 14- 9918700243  |
|               | 15a- 9949700619 |
|               | 15b- 9949700620 |
|               | 15c- 9949700704 |
|               | 15d- 9949700705 |
- 
- |                |  |
|----------------|--|
| 1- 9945700092  |  |
| 2- 9919700062  |  |
| 3- 9945700105  |  |
| 4- 9912700051  |  |
| 5a- 9918700526 |  |
| 5b- 9918700527 |  |
| 6- 9918700250  |  |
| 7- 9918700249  |  |
| 8- 9910700004  |  |
| 9- 9908700231  |  |
| 10- 9908700420 |  |



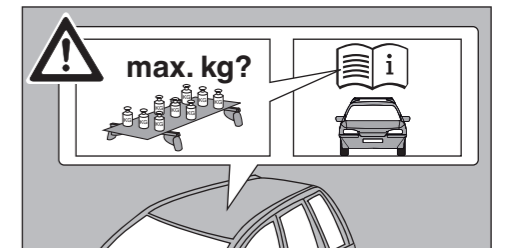
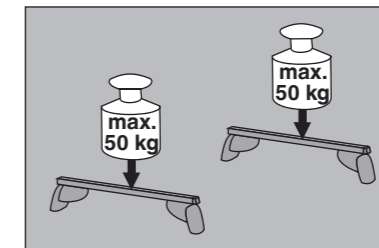
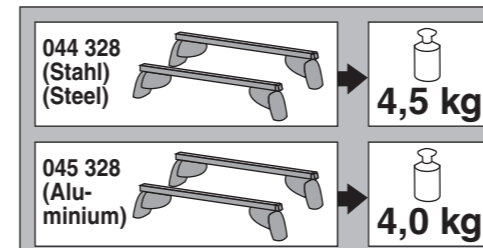
# Atera SIGNO

Mercedes Benz  
E-Klasse (W213) 04/2016-

Art.Nr. / Part-No. : 044 328  
Art.Nr. / Part-No. : 045 328

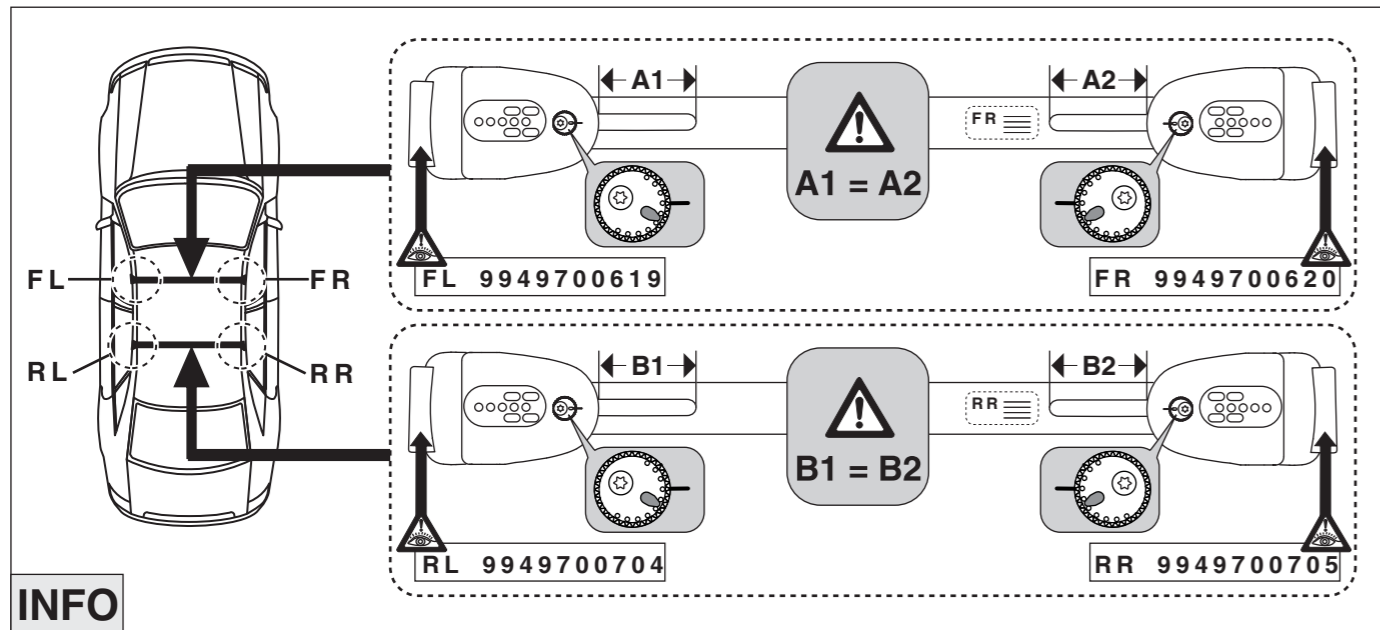


Part-No. : 044 328

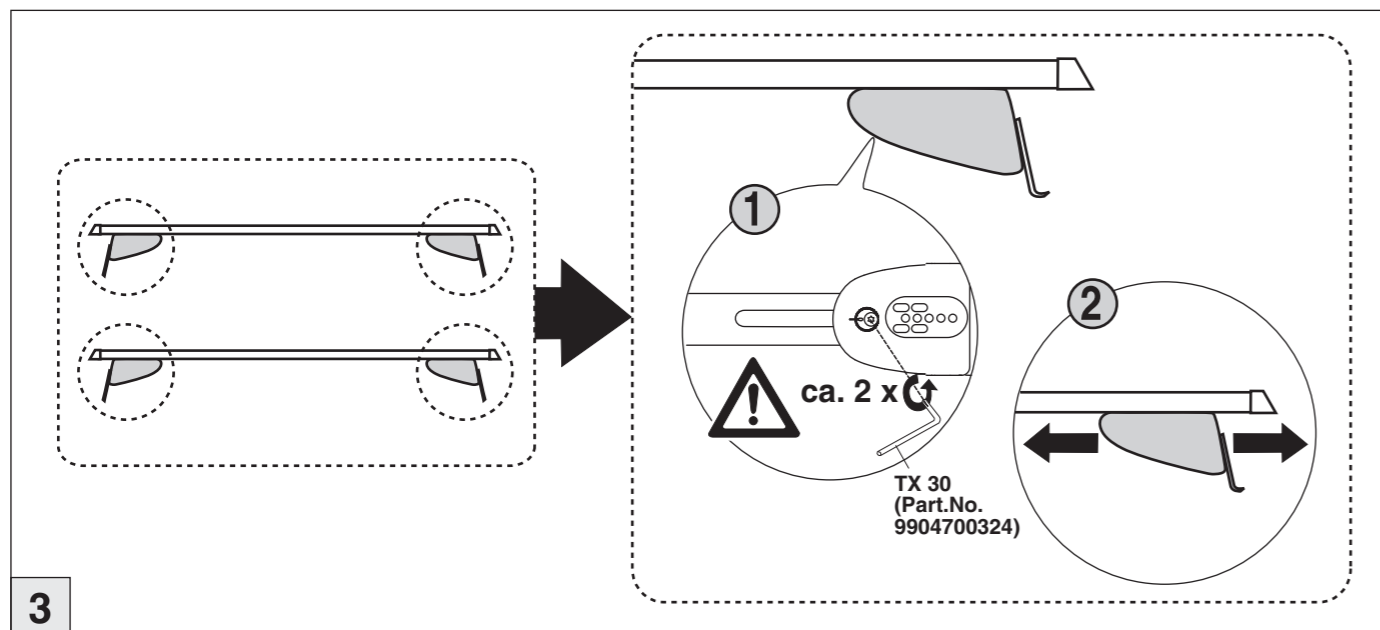
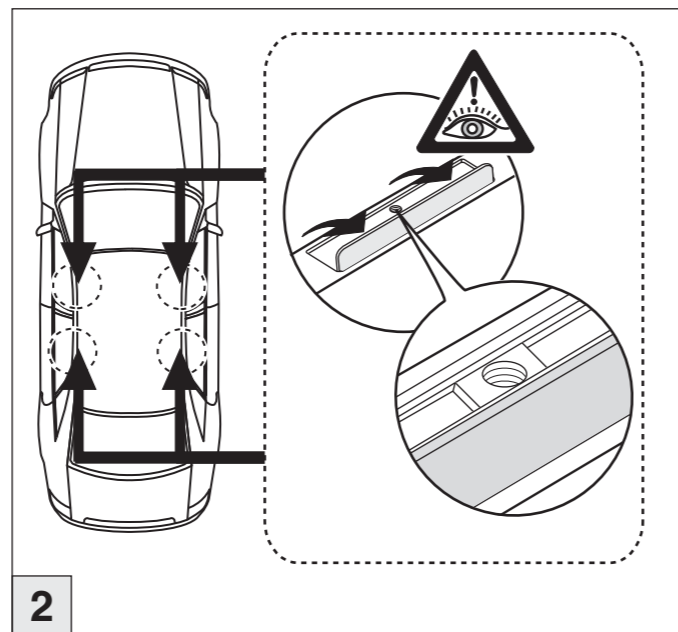
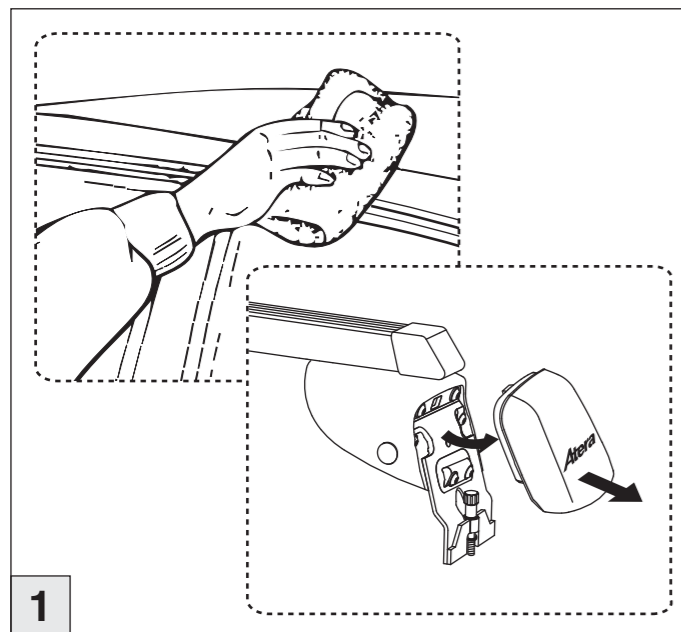


# Atera SIGNO

Mercedes Benz  
E-Klasse (W213) 04/2016-



INFO



# Atera SIGNO

Mercedes Benz  
E-Klasse (W213) 04/2016-

