

Atera SIGNO

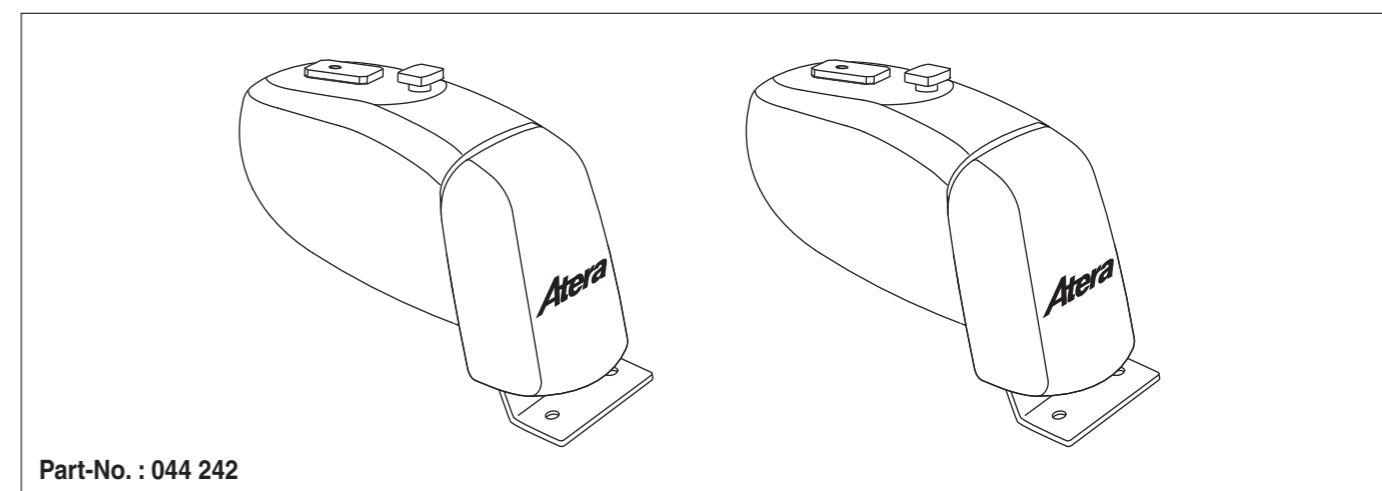
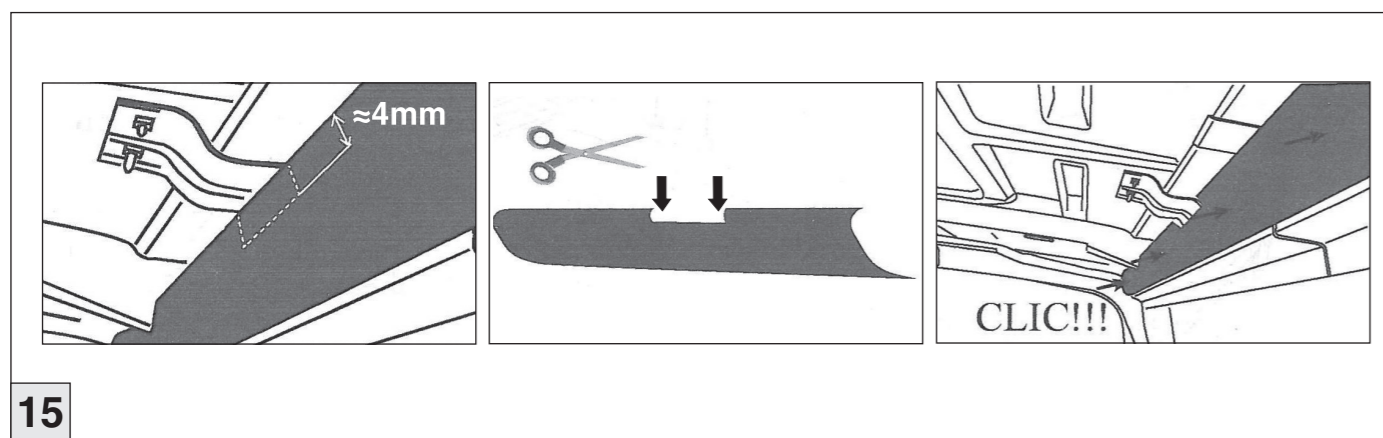
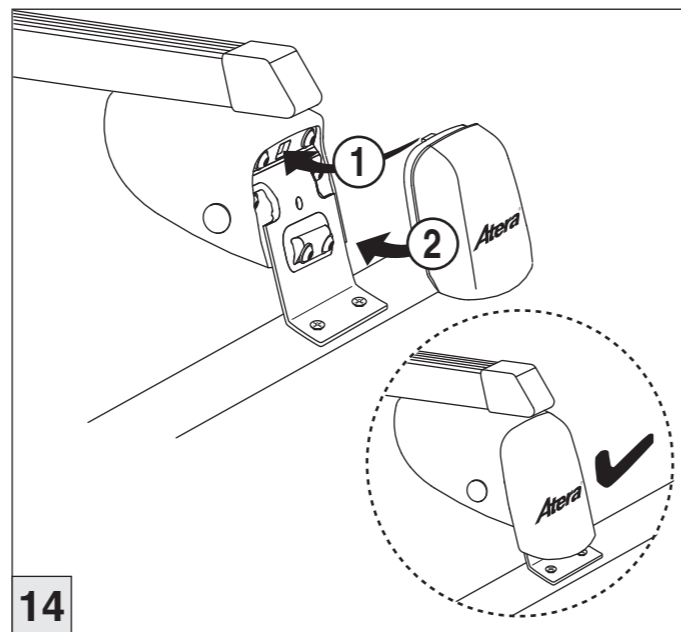
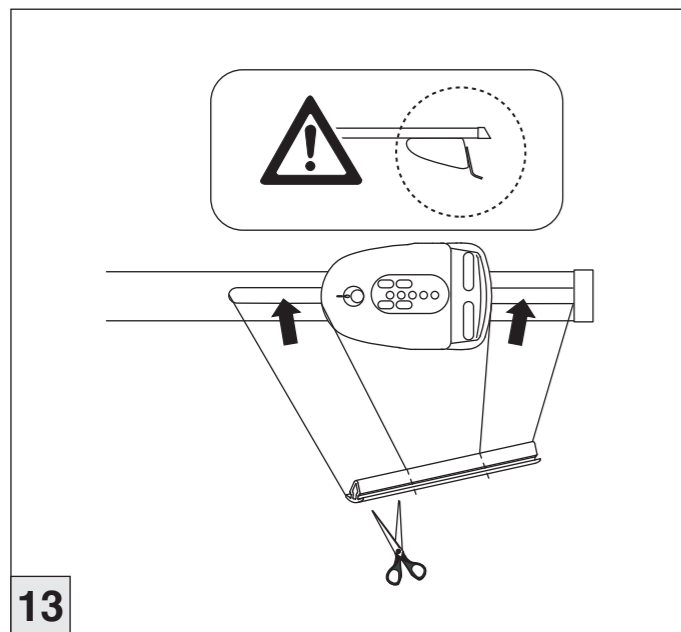
Nissan NV400 10/2011-

Renault Master 03/2010-
Opel Movano 03/2010-

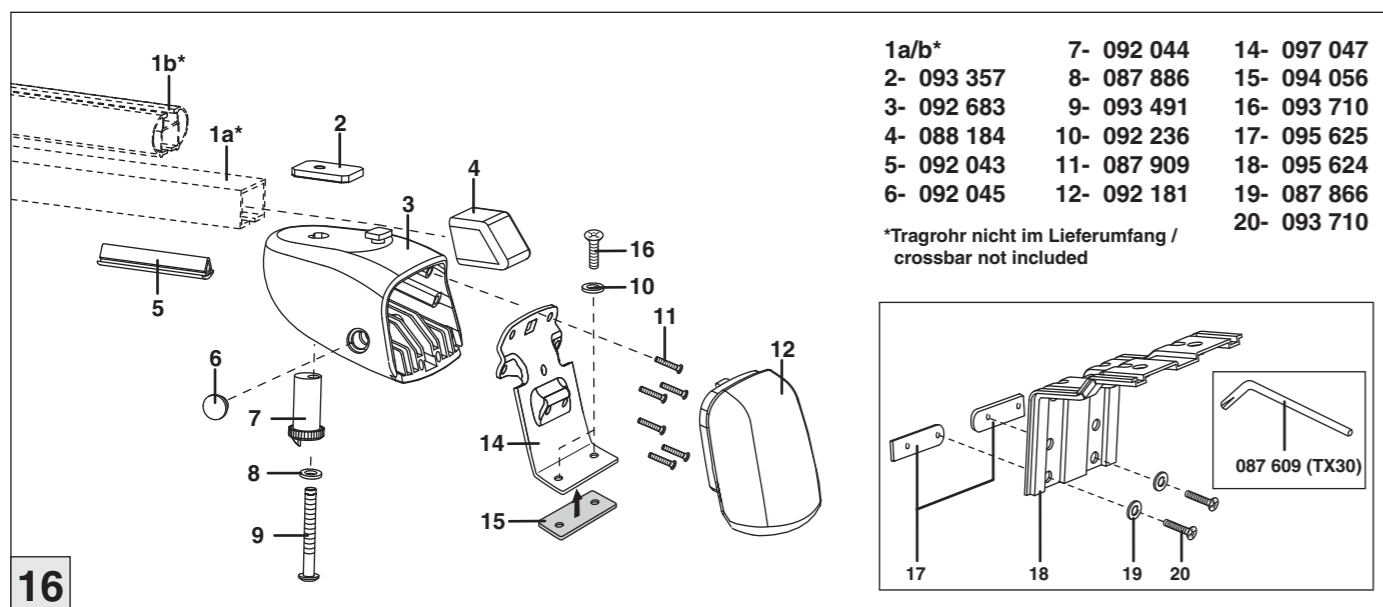
Atera SIGNO

Renault Master 03/2010-
Opel Movano 03/2010-
Nissan NV400 10/2011-

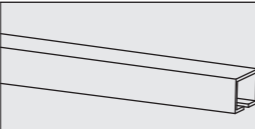
Part-No. : 044 242



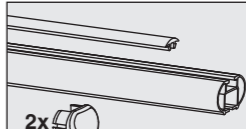
Part-No. : 044 242



! Stützfüße dürfen nur in Kombination mit original Atera-Tragröhren(Stahl/Aluminium) der Länge 1370 mm (nicht im Lieferumfang enthalten!) verwendet werden. Supporting legs must be used only in combination with original carrier bars (steel/aluminium) made by Atera with length of 1370 mm (not included).



Art. Nr. / Part No. :
074 137 (Stahl / Steel)



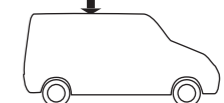
Art. Nr. / Part No. :
082 969 (Aluminium)

+ = 3,5 KG

Part. No. 074 137 / 082 969

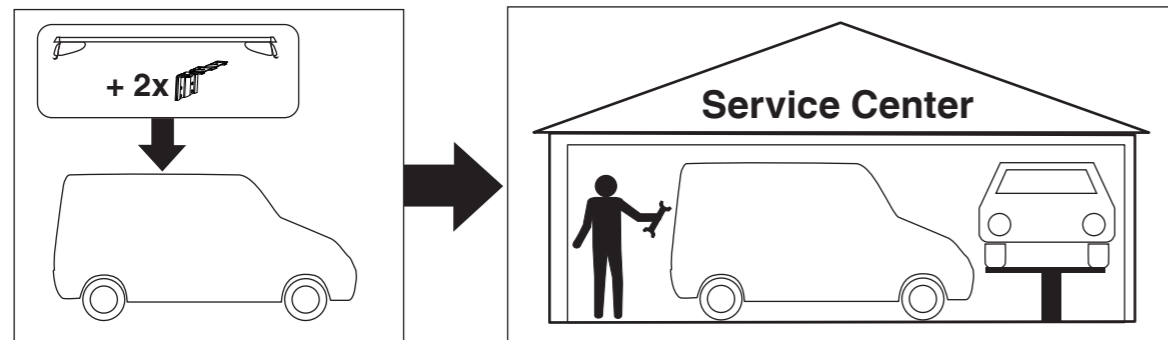
max. 50 KG

MAX. 200 KG

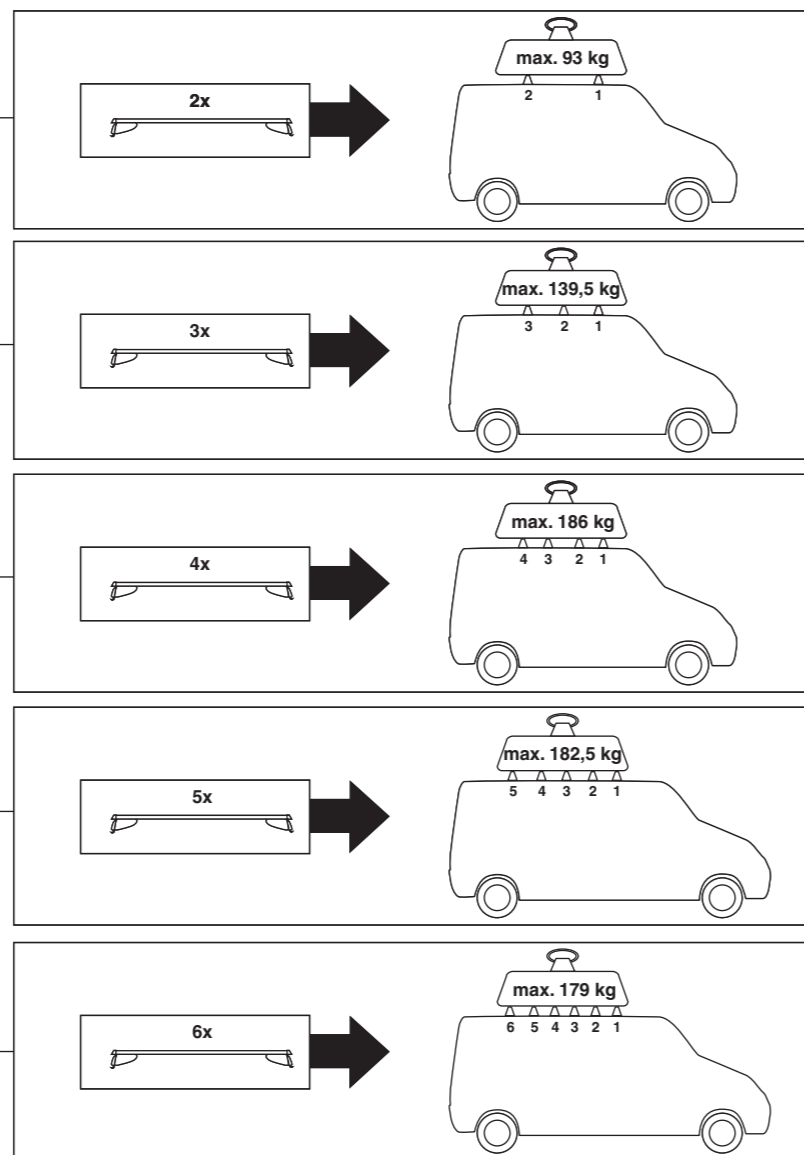
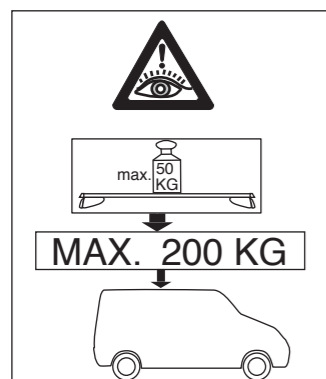


Atera
MADE IN GERMANY

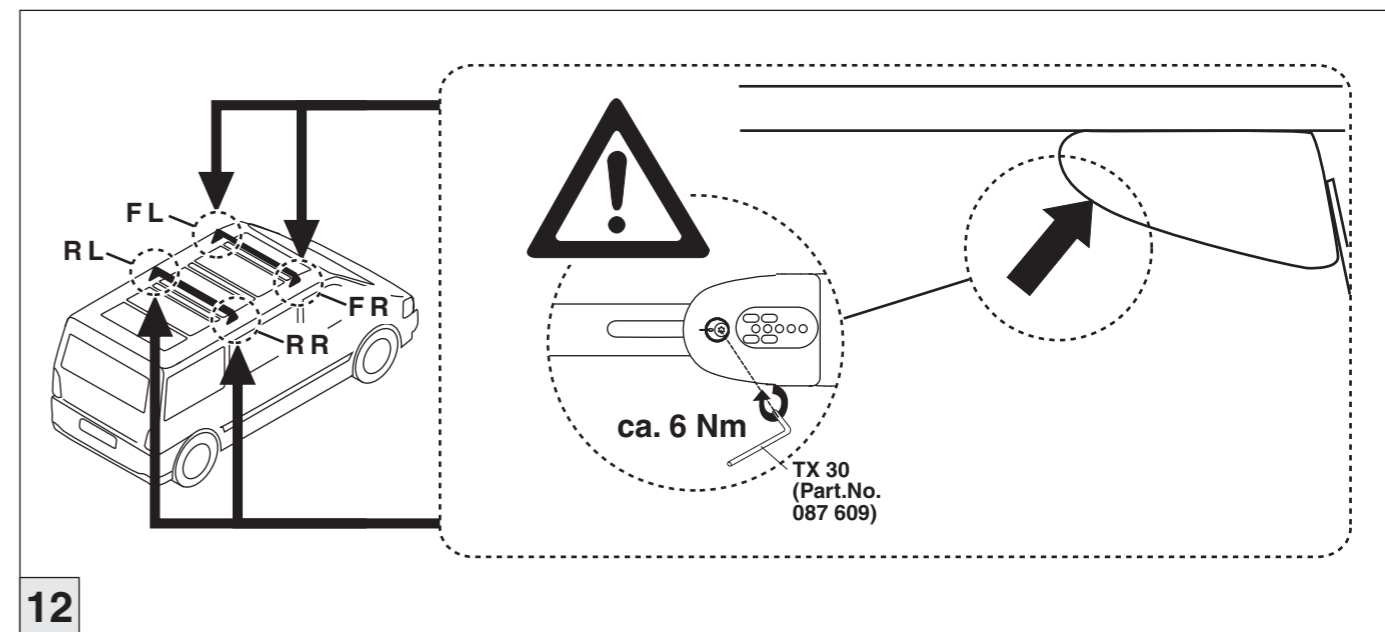
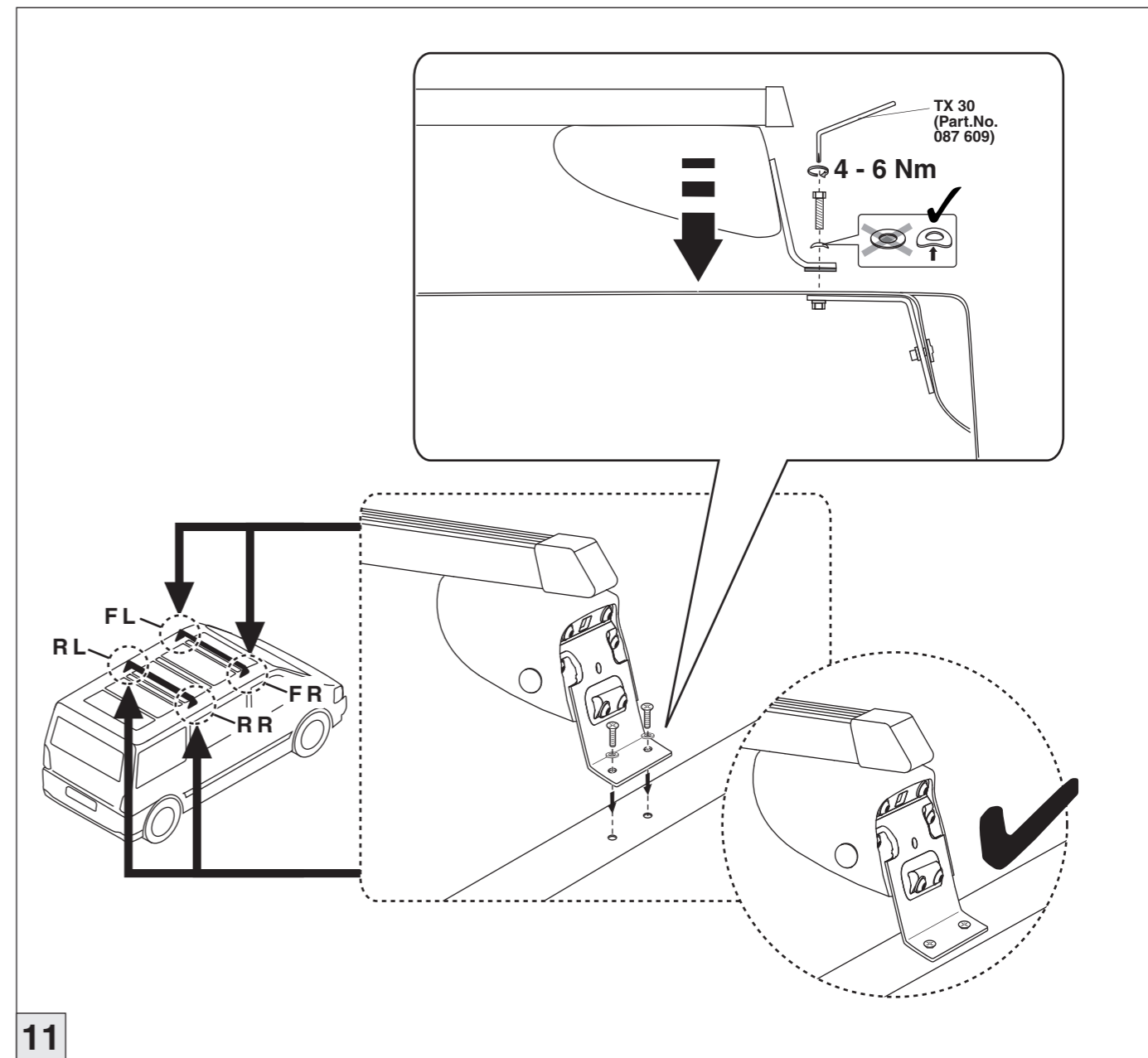
Atera GmbH
Im Herrach 1
D-88299 Leutkirch
Servicetelefon: 0180-50 000 89
(14 ct/Min. aus dem dt. Festnetz)
E-Mail: info@atera.de



INFO



INFO



Atera SIGNO

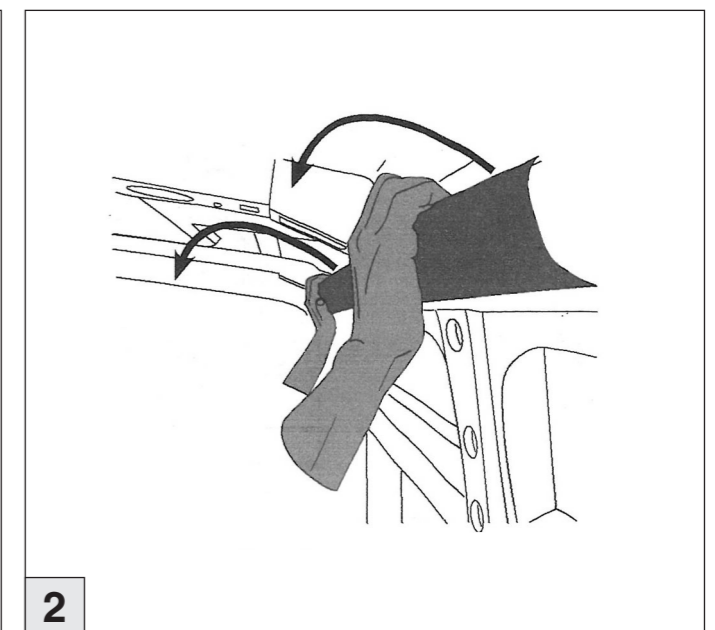
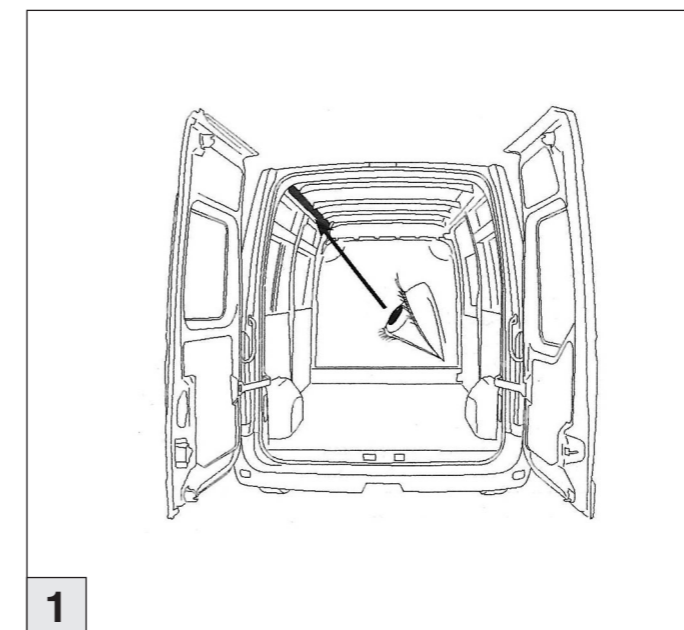
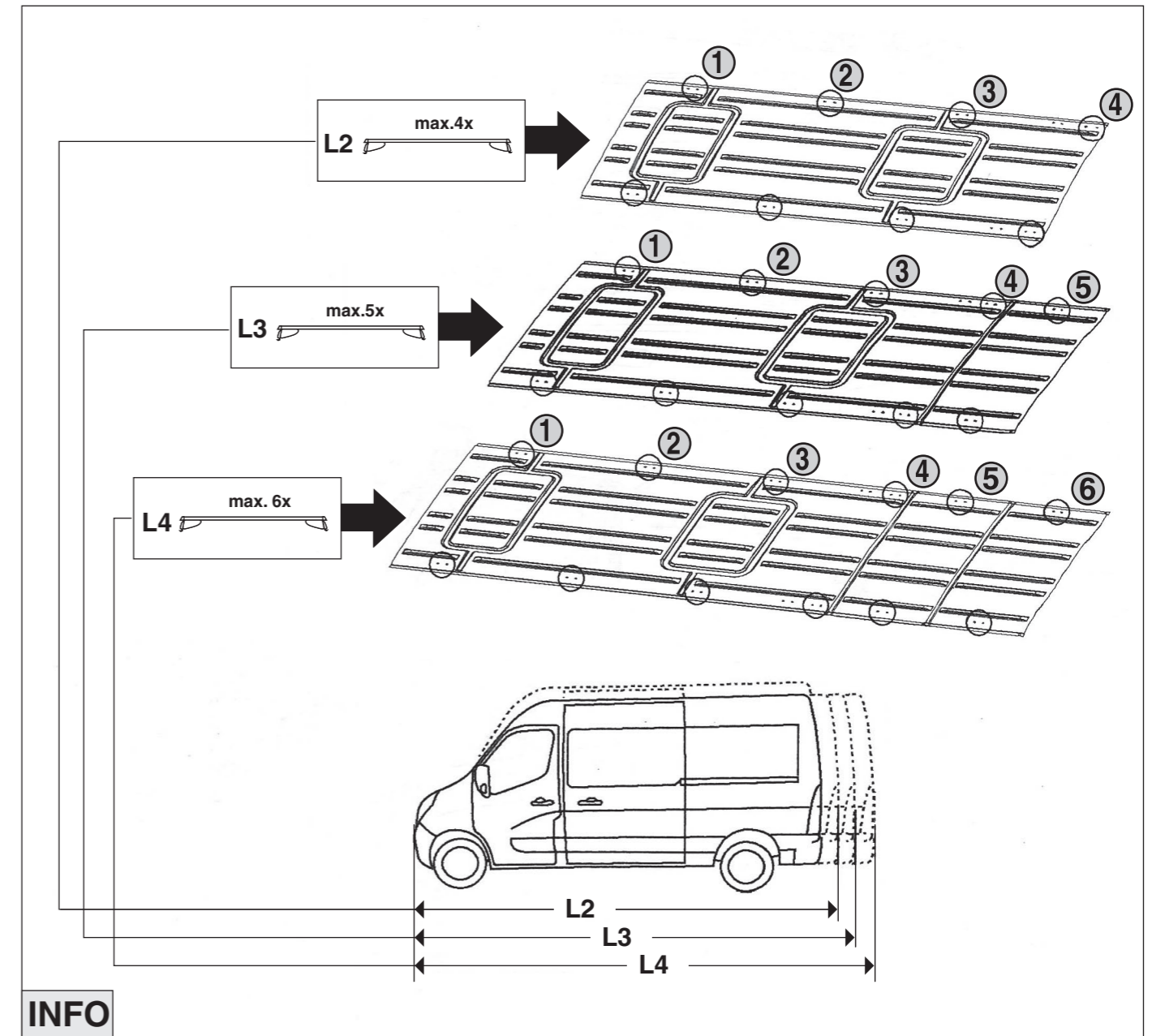
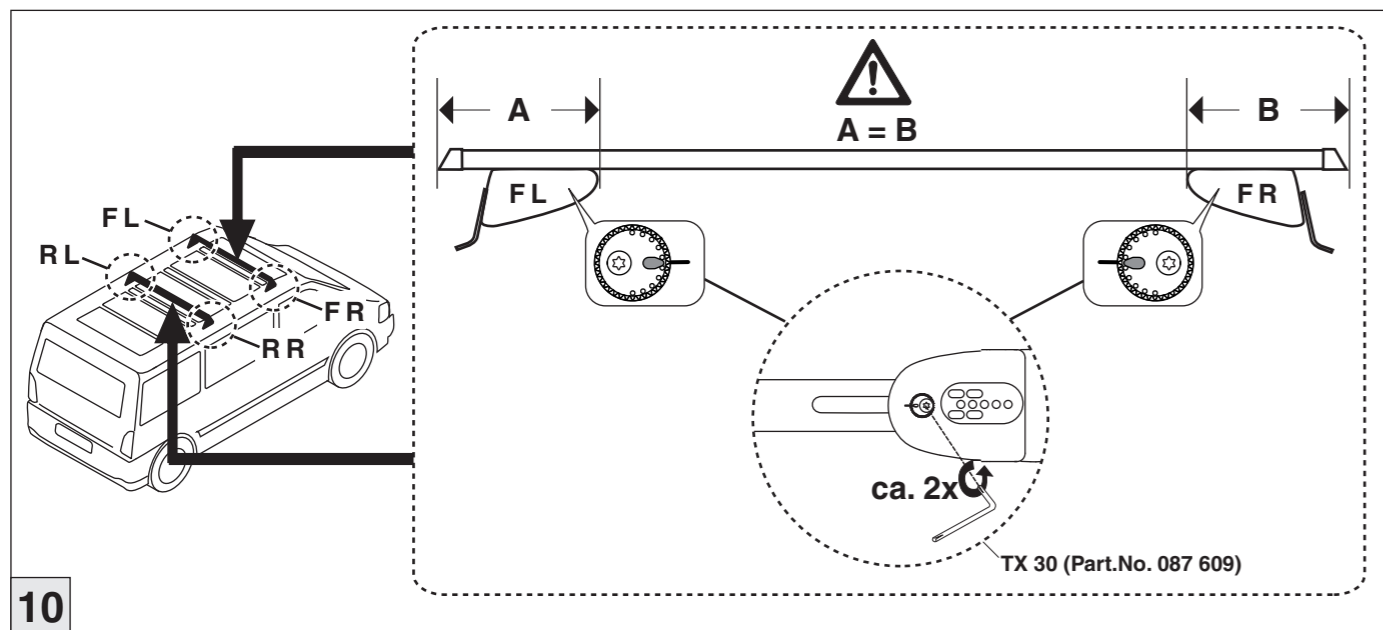
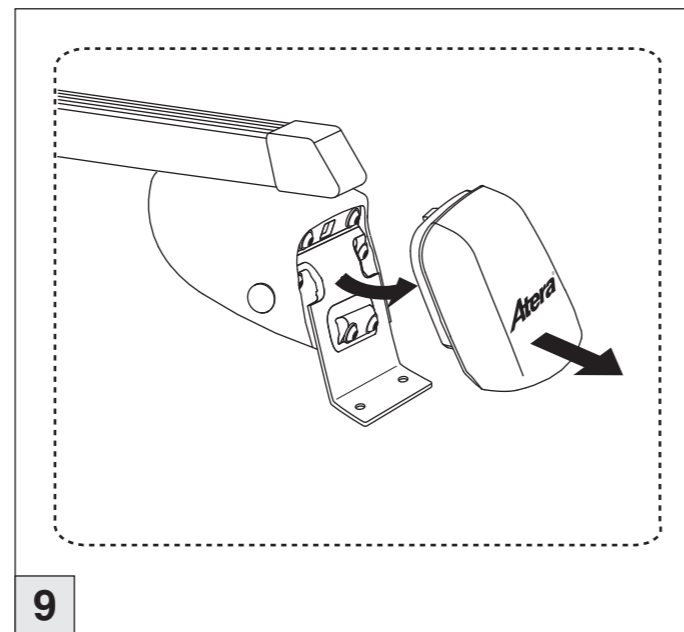
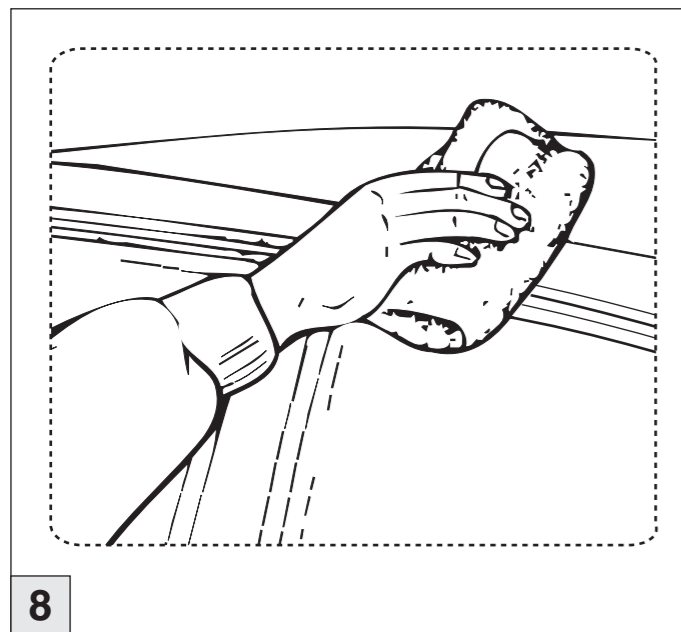
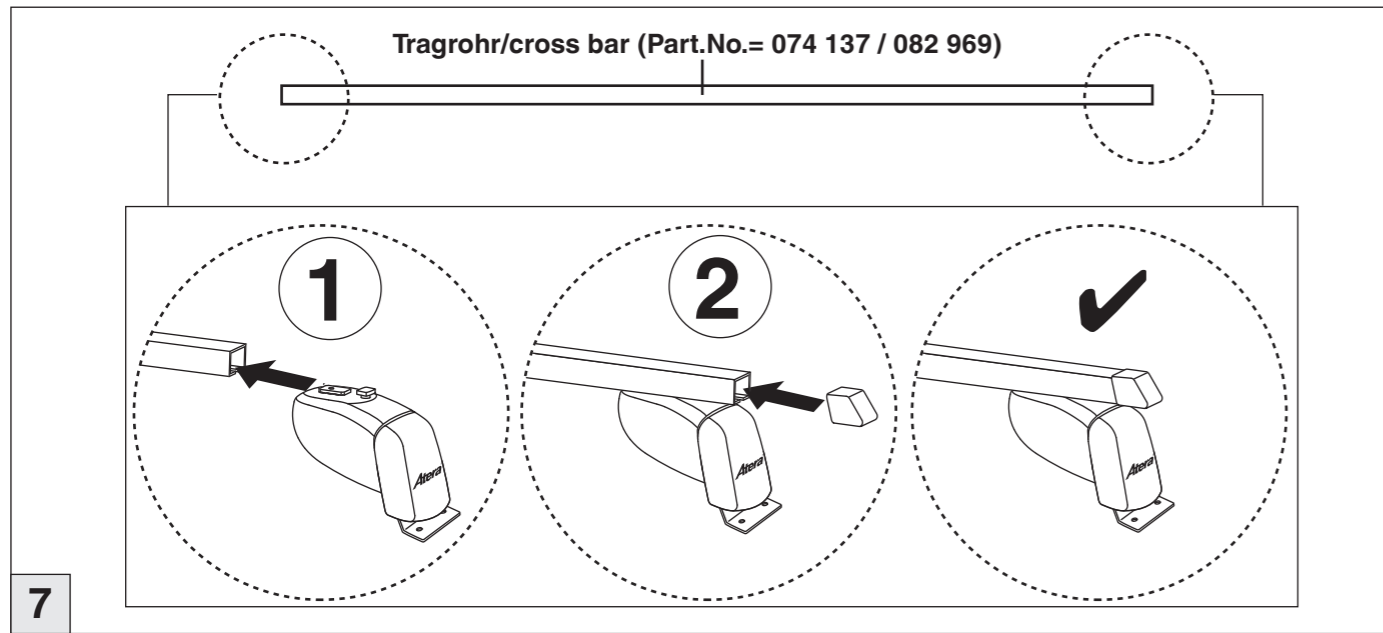
Nissan NV400 10/2011-

Renault Master 03/2010-
Opel Movano 03/2010-

Atera SIGNO

Nissan NV400 10/2011-

Renault Master 03/2010-
Opel Movano 03/2010-



Atera SIGNO

Nissan NV400 10/2011-

Renault Master
Opel Movano

03/2010-
03/2010-

Atera SIGNO

Nissan NV400 10/2011-

Renault Master
Opel Movano

03/2010-
03/2010-

